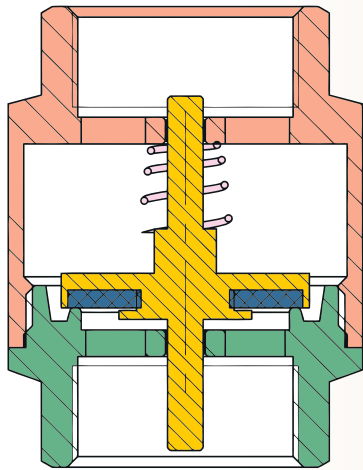


FORGED BRASS

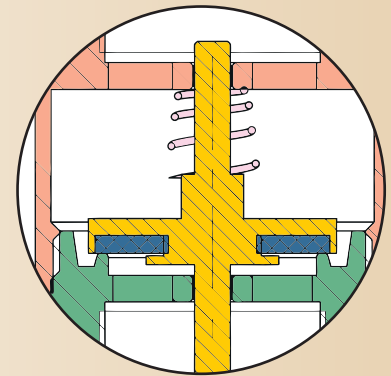
UNIVERSAL CHECK VALVE



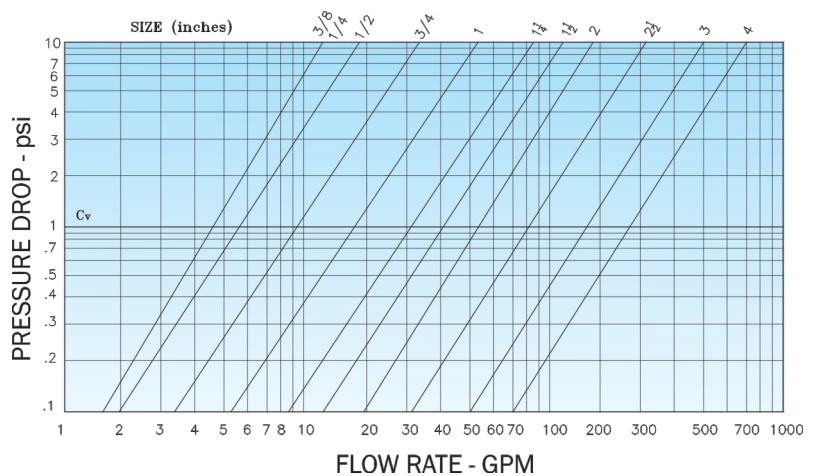
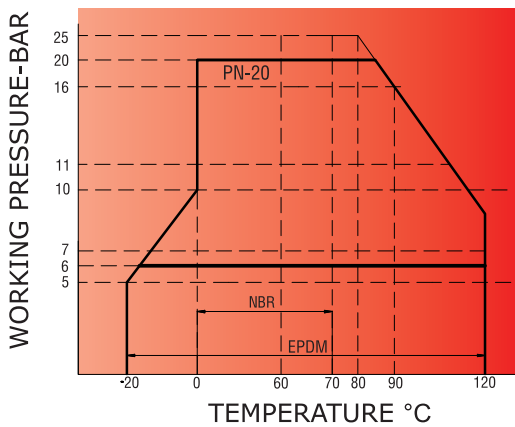
- BODY 1 ■
- COVER 2 ■
- DISC 3 ■
- DISC FACING 4 ■
- SPRING 5 ■



- **Item Code:** FLB048
- **Pressure Rating:** PN-20
- **Testing Standard:** BSEN 12266 PART-1
- **Size Range:** 15mm to 50mm
- **Product Standard:** BS 5154



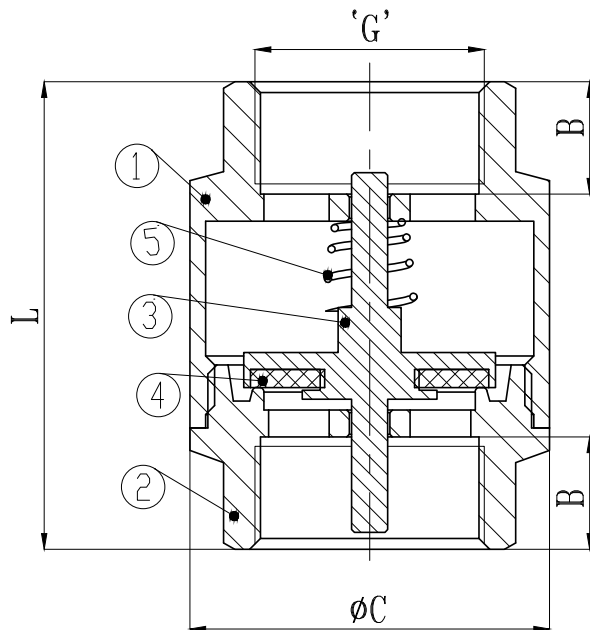
PRESSURE/TEMPERATURE DAIGRAM



Note : The above data is subject to change without notice due to our continuing product improvement program.

PRINCIPAL FEATURES

- Design Std.: BS 5154.
- Resilient seat ensures zero leakage at low pressure.
- Screwed female BSP parallel threads to BS21 / IS:554.
- Permit flow in one direction and closes automatically if the flow reverses.
- Spring loaded design allows installation in both horizontal & vertical positions.



END CONNECTION

- Screwed female BSP parallel threads to BS21 / IS:554.

UTILISATION & SERVICE

- “LEADER” Brass Universal Check valves are suitable for above-ground installations.
- Best suited for hot & cold water, neutral liquids, Air.

WORKING PRESSURE

- Maximum Working Pressure: 20 Bar.
- See Pressure / Temperature Diagram.

TEMPERATURE LIMITS

- Maximum working temperature: 100°C.
- See Pressure / Temperature Diagram.

PRESSURE RATING: PN-20

TEST PRESSURE (Hydrostatic)

BODY	SEAT
30 Bar (g)	22 Bar (g)

SUITABLE FOR

Water	Oil	Air	Gases
✓		✓	

DIMENSIONAL DATA

SIZE (mm)	15	20	25	32	40	50
L	48	52	59.5	63	69	77
G	1/2"	3/4"	1"	1-1/4"	1-1/2"	2"
ØC	31.5	40	48	56	64	78
B	12.5	12.5	15	15	15	16.5
Item Code	FLB 048	FLB 048	FLB 048	FLB 048	FLB 048	FLB 048

MATERIAL SPECIFICATION

P.No.	NAME OF PART	MATERIAL	SPECIFICATION
1	BODY	FORGED BRASS	IS 6912 Gr. FLB
2	COVER	FORGED BRASS	IS 6912 Gr. FLB
3	DISC	FORGED BRASS	IS 6912 Gr. FLB
4	DISC FACING	NITRILE RUBBER	
5	SPRING	STAINLESS STEEL	TYPE 304