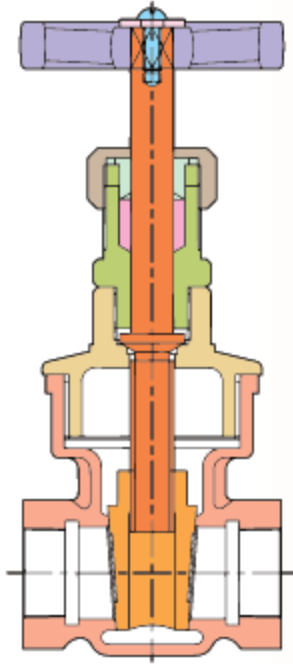


GUN METAL/BRONZE

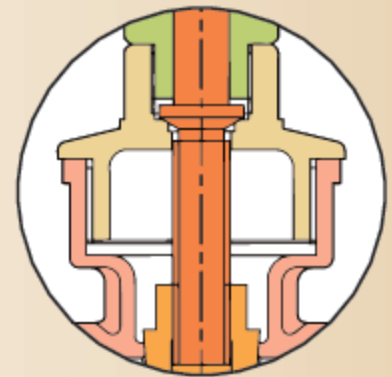
GATE VALVE



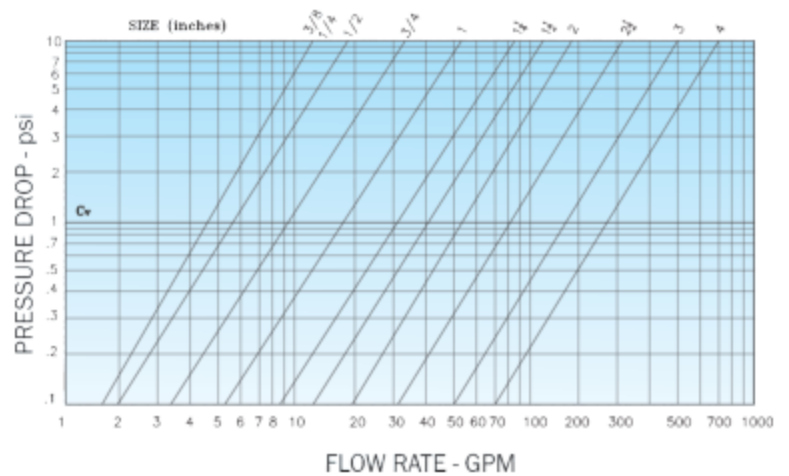
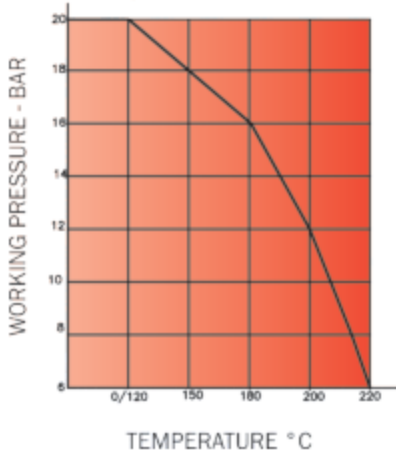
- BODY 1
- WEDGE 2
- STEM 3
- BONNET 4
- STUFFING BOX 5
- PACKING 6
- GLAND 7
- GLAND NUT 8
- HAND WHEEL 9
- WASHER 10
- SET SCREW 11



- **Item Code:** GM003
- **Pressure Rating:** PN-20
- **Testing Standard:** BSEN 12266 PART-1
- **Size Range:** 15mm to 150mm
- **Product Standard:** BS 5154



PRESSURE/TEMPERATURE DIAGRAM



Note : The above data is subject to change without notice due to our continuing product improvement program.

PRINCIPAL FEATURES:

- Design Std.: BS 5154.
- Screwed in bonnet, inside screw non-rising stem.
- Heavy duty full bore long threads.
- Gun Metal / Brass working parts, integral seat.
- Screwed female BSP parallel threads to BS21 / IS:554.
- Extra strength of stem with high tensile brass.
- Provision for re-packing under pressure in the installed condition.
- Wear resistant solid and long lasting materials.
- Sheet metal handwheel offers better strength & convenient operation.
- Easy visual control of open / closed position marked on the handwheel / name plate.
- Available with open-shut indicator & locking arrangement on request.

END CONNECTION:

- Screwed Female Parallel Threads to BS21 / IS:554.
- Taper Threads available only upon request.

UTILISATION & SERVICE

- "LEADER" Gun Metal Gate valves are suitable for above-ground installations.
- Best suited for hot & cold water, air, neutral liquids & some gases.

WORKING PRESSURE

- Maximum Working Pressure: 20 Bar.
- See Pressure / Temperature Diagram.

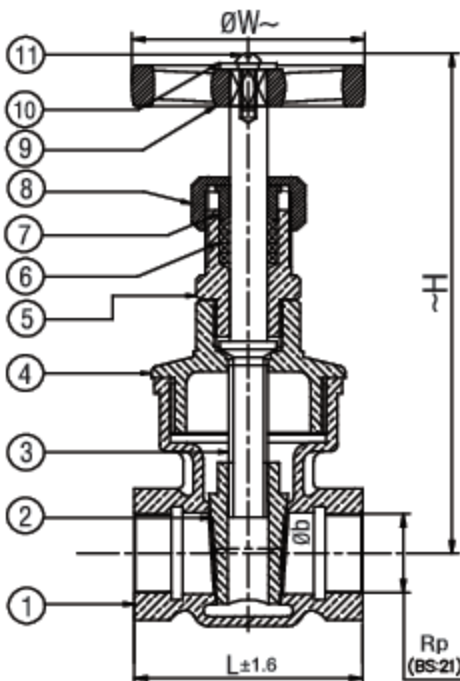
TEMPERATURE LIMITS:

- Maximum working temperature: 225°C.
- See Pressure / Temperature Diagram.

PRESSURE RATING: PN-20

TEST PRESSURE (Hydrostatic)

BODY	SEAT
30 BAR (g)	22 BAR (g)



SUITABLE FOR

Water	Oil	Air	Gases
✓		✓	✓

DIMENSIONAL DATA

SIZE (mm)	15	20	25	32	40	50	65	80	100	125	150
L	56	62	56	76	86	92	114	121	148	203	210
Øb	15	20	25	32	40	50	63.5	76.2	100	125	150
~H	100	112	125	140	159	176	210	250	285	426	532
Rp	1/2"	3/4"	1"	1-1/4"	1-1/2"	2"	2-1/2"	3"	4"	5"	6"
ØW~	60	60	70	90	90	111	136	145	197	216	254
Item Code	GM 003	GM 003	GM 003	GM 003	GM 003	GM 003	GM 003	GM 003	GM 003	GM 003	GM 003

MATERIAL SPECIFICATION

P.No.	NAME OF PART	MATERIAL	SPECIFICATION
1	BODY	GUN METAL	BSEN 1982 Gr.CC491K
2	WEDGE	GUN METAL	BSEN 1982 Gr.CC491K
3	STEM	BRASS ROD	DIN EN 12165 CW271R
4	BONNET	GUN METAL / BRASS	BSEN 1982 Gr.CC491K / DIN EN 12165 CW721R
5	STUFFING BOX	GUN METAL / BRASS	BSEN 1982 Gr.CC491K / DIN EN 12165 CW721R
6	PACKING	HEMP & JUTE (IS:5414)	
7	GLAND	GUN METAL / BRASS	BSEN 1982 Gr.CC491K / DIN EN 12165 CW721R
8	GLAND NUT	BRASS ROD	DIN EN 12165 CW271R
9	HANDWHEEL	CAST IRON TO BSEN 1561 Gr. 200 / M.S. SHEET	
10	WASHER	STEEL	
11	SET SCREW	STEEL	