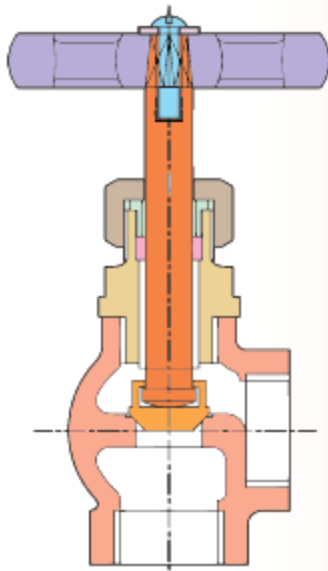


# GUN METAL/BRONZE

# ANGEL GLOBE VALVE

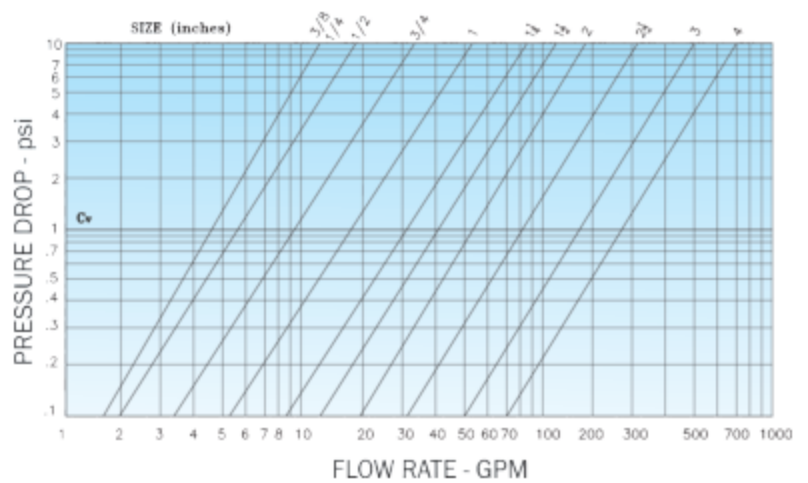
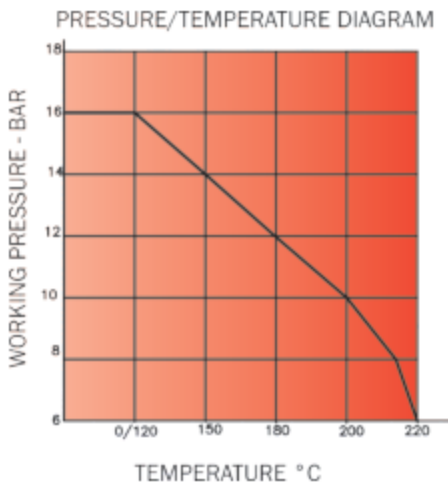
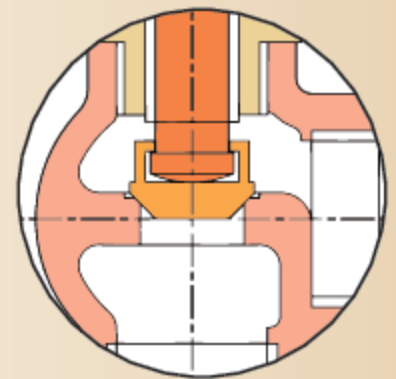


DISC DESIGN ABOVE SIZE 20mm

- BODY 1
- DISC 2
- STEM 3
- BONNET 4
- PACKING 5
- GLAND 6
- GLAND NUT 7
- HAND WHEEL 8
- WASHER 9
- SCREW 10
- STEM NUT 11



- **Item Code:** GM011
- **Pressure Rating:** PN-16
- **Testing Standard:** BSEN 12266 PART-1
- **Size Range:** 8mm to 80mm
- **Product Standard:** BS 5154



Note : The above data is subject to change without notice due to our continuing product improvement program.

## PRINCIPAL FEATURES:

- Design Std.: BS 5154.
- Right angle pattern.
- Screwed in bonnet, inside screw rising stem.
- Gun Metal / Brass working parts, integral seat.
- Screwed female BSP parallel threads to BS21 / IS:554.
- Extra strength of stem with high tensile brass.
- Provision for re-packing under pressure in the installed condition.
- Wear resistant solid and long lasting materials.
- Sheet metal handwheel offers better strength & convenient operation.
- Easy visual control of open / closed position marked on the handwheel / name plate.
- Available with open-shut indicator & locking arrangement on request.
- Also available with PTFE Seating for Air and Gas applications, at an extra cost.

## END CONNECTION:

- Screwed Female Parallel Threads to BS21 / IS:554.
- Taper Threads available only upon request.

## UTILISATION & SERVICE

- "LEADER" Gun Metal Globe valves are suitable for above-ground installations.
- Best suited for hot & cold water, air, neutral liquids & some gases.

## WORKING PRESSURE

- Maximum Working Pressure: 16 Bar.
- See Pressure / Temperature Diagram.

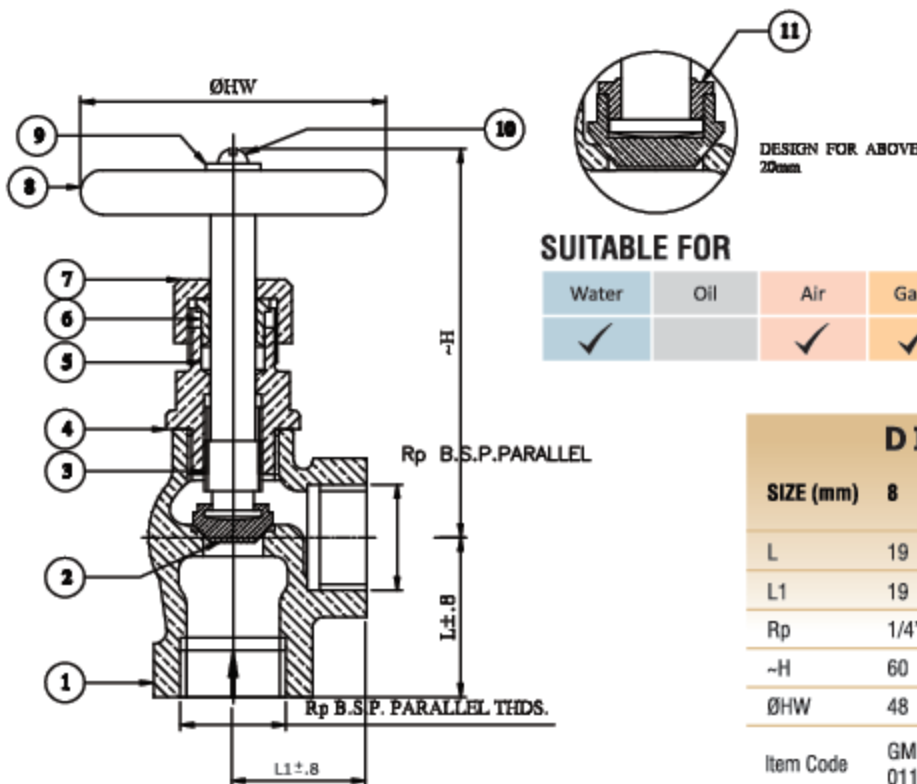
## TEMPERATURE LIMITS

- Maximum working temperature: 225°C.
- See Pressure / Temperature Diagram.

## PRESSURE RATING: PN-16

### TEST PRESSURE (Hydrostatic)

BODY	SEAT
24 Bar (g)	17.6 Bar (g)



### SUITABLE FOR

Water	Oil	Air	Gases
✓		✓	✓

### DIMENSIONAL DATA

SIZE (mm)	8	10	15	20	25	32	40	50	65	80
L	19	18	24	31	35	43	48	58	70	81
L1	19	18	24	31	35	43	48	58	70	81
Rp	1/4"	3/8"	1/2"	3/4"	1"	1-1/4"	1-1/2"	2"	2-1/2"	3"
~H	60	60	80	76	90	95	110	130	175	180
ØHW	48	48	60	60	60	80	90	110	130	130
Item Code	GM 011	GM 011	GM 011	GM 011	GM 011	GM 011	GM 011	GM 011	GM 011	GM 011

## MATERIAL SPECIFICATION

P.No.	NAME OF PART	MATERIAL	SPECIFICATION
1	BODY	GUN METAL	BSEN 1982 Gr.CC491K
2	DISC	GUN METAL	BSEN 1982 Gr.CC491K
3	STEM	BRASS ROD	DIN EN 12165 CW721R
4	BONNET	GUN METAL	BSEN 1982 Gr.CC491K
5	PACKING	HEMP & JUTE (IS 5414)	
6	GLAND	BRASS	DIN EN 12165 CW721R
7	GLAND NUT	BRASS	DIN EN 12165 CW721R
8	HAND WHEEL	CAST IRON	BSEN 1561 Gr.GJL200
9	WASHER	CARBON STEEL	ANY GRADE
10	SCREW	CARBON STEEL	ANY GRADE
11	STEM NUT	GUN METAL	BSEN 1982 Gr.CC491K