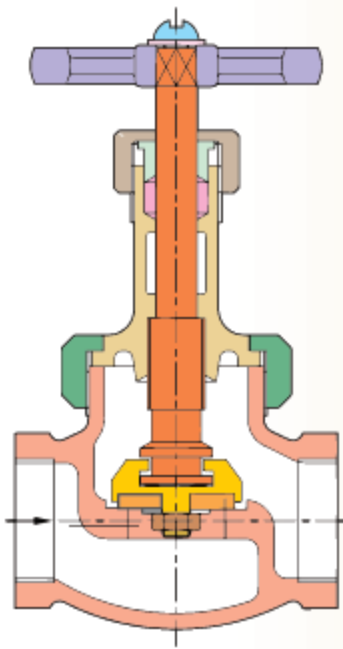
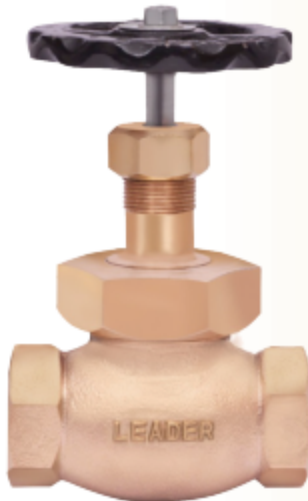


# GUN METAL/BRONZE

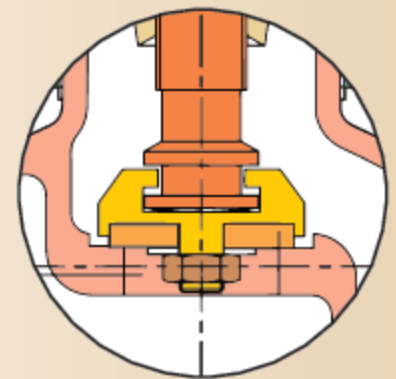
# UNION BONNET GLOBE VALVE



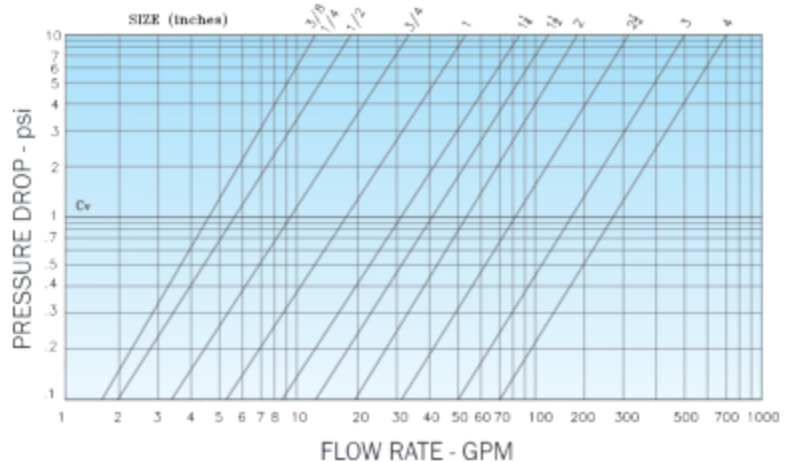
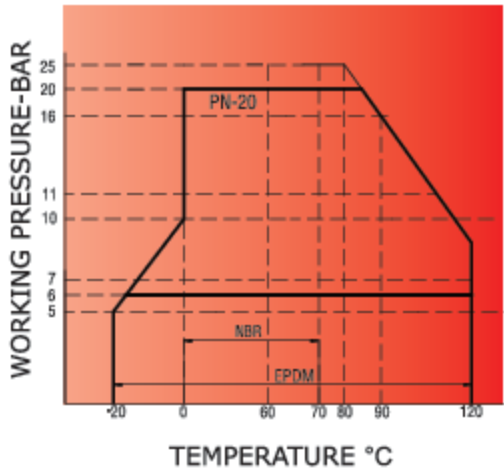
BODY	1	
NUT	2	
DISC	3	
DISC HOLDER	4	
STEM	5	
UNION NUT	6	
BONNET	7	
PACKING	8	
GLAND FOLLOWER	9	
GLAND NUT	10	
HAND WHEEL	11	
WASHER	12	
SCREW	13	



- Item Code: GM014
- Pressure Rating: PN-20
- Testing Standard: BSEN 12266 PART-1
- Size Range: 8mm to 100mm
- Product Standard: BS 5154



PRESSURE/TEMPERATURE DAIGRAM



Note : The above data is subject to change without notice due to our continuing product improvement program.

### PRINCIPAL FEATURES:

- Design Std.: BS 5154.
- Union bonnet, inside screw rising stem, Integral Seat
- Renewable Rubber Disc.
- Screwed female BSP parallel threads to BS21 / IS:554.
- Extra strength of stem with high tensile brass.
- Provision for re-packing under pressure in the installed condition.
- Wear resistant solid and long lasting materials.
- Sheet metal handwheel offers better strength & convenient operation.
- Easy visual control of open / closed position marked on the handwheel / name plate.
- Available with open-shut indicator & locking arrangement on request.
- Also available with PTFE Seating at an extra cost.

### END CONNECTION:

- Screwed Female Parallel Threads to BS21 / IS:554.
- Taper Threads available only upon request.

### UTILISATION & SERVICE

- Best suited for hot & cold water, air, neutral liquids & some gases.

### WORKING PRESSURE

- Maximum Working Pressure: 20 Bar.
- See Pressure / Temperature Diagram.

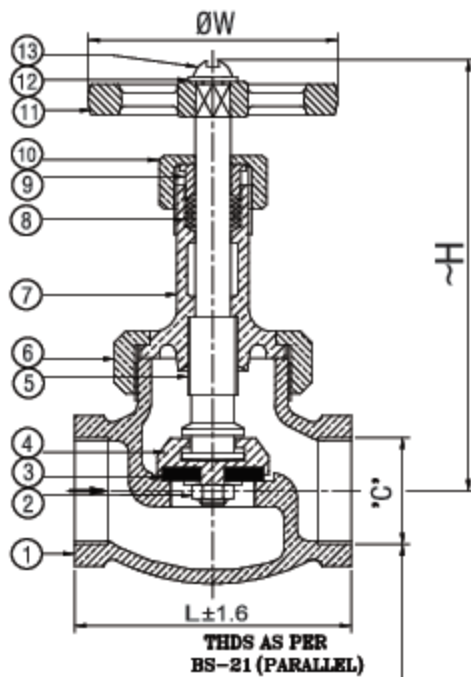
### TEMPERATURE LIMITS

- Maximum working Temperature: 100°C.
- See Pressure / Temperature Diagram.

### PRESSURE RATING: PN-20

#### TEST PRESSURE (Hydrostatic)

BODY	SEAT
30 Bar (g)	22 Bar (g)



### SUITABLE FOR

Water	Oil	Air	Gases
✓		✓	✓

### DIMENSIONAL DATA

SIZE (mm)	8	10	15	20	25	32	40	50	65	80	100
L	60	60	57	65	81	88	100	120	168	203	248
ØW	60	60	60	60	70	80	90	110	140	157	184
'C'	5/16"	3/8"	1/2"	3/4"	1"	1-1/4"	1-1/2"	2"	2-1/2"	3"	4"
-H	90	90	108	115	128	180	200	240	245	261	331
Item Code	GM 014	GM 014	GM 014	GM 014	GM 014	GM 014	GM 014	GM 014	GM 014	GM 014	GM 014

### MATERIAL SPECIFICATION

P.No.	NAME OF PART	MATERIAL	SPECIFICATION
1	BODY	GUN METAL	BS 1982 CC491K
2	NUT	GUN METAL / BRASS	BS 1982 CC491K / DIN EN 12165 CW617N
3	DISC	SYNTHETIC RUBBER	BS 2751 Gr. BA 70
4	DISC HOLDER	GUN METAL	BS 1982 CC491K
5	STEM	HIGH TENSILE BRASS	DIN EN 12165 CW721R
6	UNION NUT	GUN METAL	BS 1982 CC491K
7	BONNET	GUN METAL	BS 1982 CC491K
8	PACKING	NON ASBESTOS	
9	GLAND FOLLOWER	GUN METAL / BRASS	BS 1982 CC491K / DIN EN 12165 CW617N
10	GLAND NUT	GUN METAL	BS 1982 CC491K
11	HAND WHEEL	CAST IRON / MILD STEEL	BSEN 1561 Gr.200 / M.S.SHEET
12	WASHER	CARBON STEEL	ANY GRADE
13	SCREW	CARBON STEEL	ANY GRADE

Note : The above data is subject to change without notice due to our continuing product improvement program.