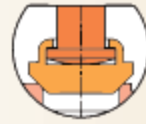
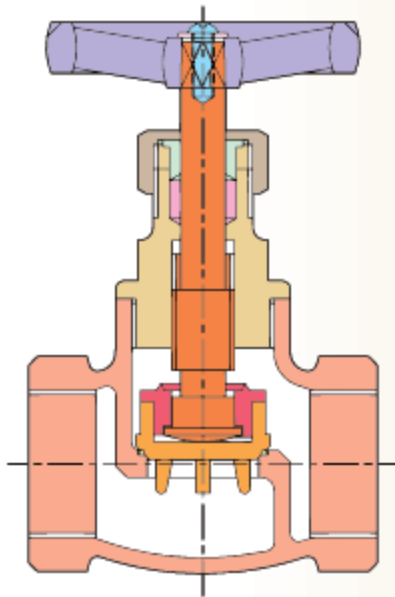


GUN METAL/BRONZE

GLOBE VALVE

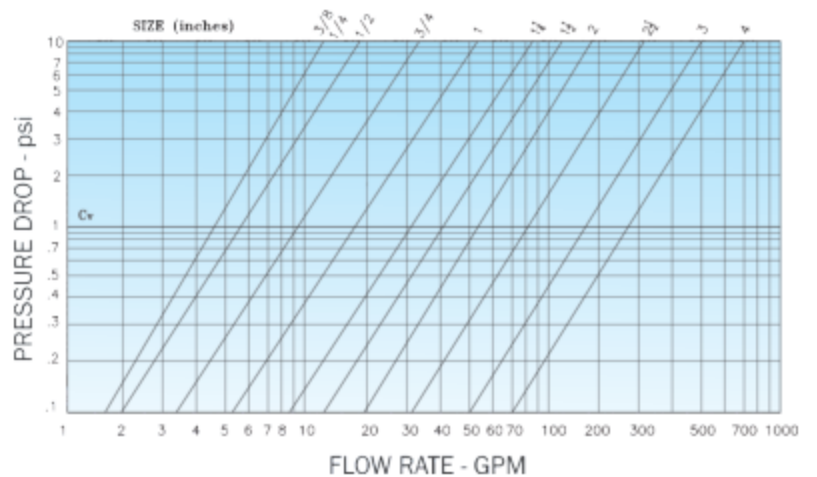
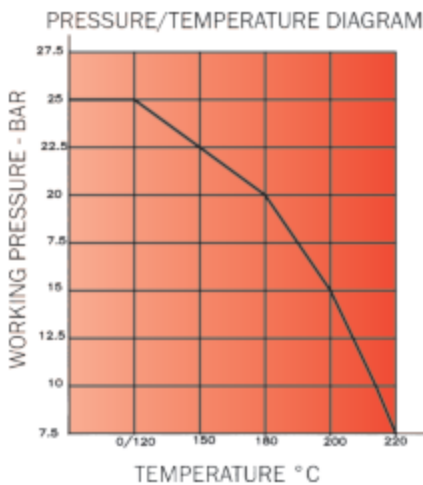
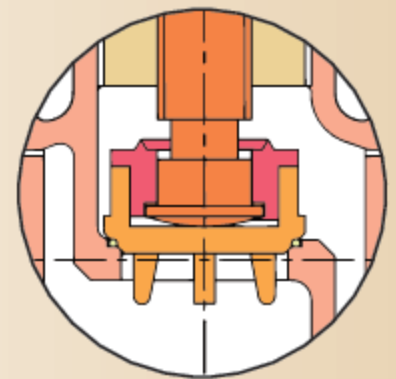


DESIGN OF DISC
UP TO SIZE 20mm

- BODY 1
- DISC 2
- STEM NUT 3
- STEM 4
- BONNET 5
- GLAND PACKING 6
- GLAND 7
- GLAND NUT 8
- HAND WHEEL 9
- WASHER 10
- SET SCREW 11



- **Item Code:** GM017
- **Pressure Rating:** PN-25
- **Testing Standard:** BSEN 12266 PART-1
- **Size Range:** 8mm to 100mm
- **Product Standard:** BS 5154



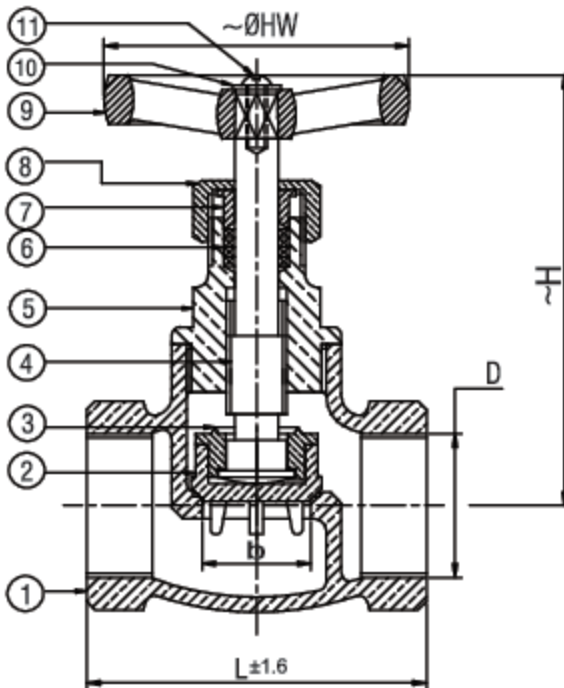
Note: The above data is subject to change without notice due to our continuing product improvement program.

PRINCIPAL FEATURES:

- Design Std.: BS 5154.
- Screwed in bonnet, inside screw rising stem.
- Gun Metal / Brass working parts, integral seat.
- Screwed female BSP parallel threads to BS21 / IS:554.
- Extra strength of stem with high tensile brass.
- Provision for re-packing under pressure in the installed condition.
- Wear resistant solid and long lasting materials.
- Sheet metal handwheel offers better strength & convenient operation.
- Easy visual control of open / closed position marked on the handwheel / name plate.
- Available with open-shut indicator & locking arrangement on request.
- Also available with PTFE Seating for Air and Gas applications, at an extra cost.

SUITABLE FOR

Water	Oil	Air	Gases
✓		✓	✓



END CONNECTION:

- Screwed Female Parallel Threads to BS21 / IS:554.
- Taper Threads available only upon request.

UTILISATION & SERVICE

- "LEADER" Gun Metal Gate valves are suitable for above-ground installations.
- Best suited for hot & cold water, air, neutral liquids & some gases.

WORKING PRESSURE

- Maximum Working Pressure: 25 Bar.
- See Pressure / Temperature Diagram.

TEMPERATURE LIMITS

- Maximum working temperature: 225°C.
- See Pressure / Temperature Diagram.

PRESSURE RATING: PN-25

TEST PRESSURE (Hydrostatic)

BODY	SEAT
37.5 Bar (g)	27.5 Bar (g)

DIMENSIONAL DATA

SIZE (mm)	8	10	15	20	25	32	40	50	65	80	100
L	40	45	57	68	78	95	103	125	157	178	206
b	9.5	11	12.7	20	25	32	40	50	65	80	100
D	1/4"	1/8"	1/2"	3/4"	1"	1-1/4"	1-1/2"	2"	2-1/2"	3"	4"
~H	55	61	68	75	100	109	135	140	162	220	235
~øHW	45	45	60	60	70	80	111	111	135	165	195
Item Code	GM 017	GM 017	GM 017	GM 017	GM 017	GM 017	GM 017	GM 017	GM 017	GM 017	GM 017

MATERIAL SPECIFICATION

P.No.	NAME OF PART	MATERIAL	SPECIFICATION
1	BODY	GUN METAL	BSEN 1982 CC491K
2	DISC	GUN METAL	BSEN 1982 CC491K
3	STEM NUT	GUN METAL	BSEN 1982 CC491K
4	STEM	BRASS ROD	BS 2872 OR BS 2874 CZ114
5	BONNET	GUN METAL	BSEN 1982 CC491K
6	GLAND PACKING	HEMP & JUTE (IS: 5414)	
7	GLAND	BRASS	BS 2872 OR BS 2874 CZ114
8	GLAND NUT	BRASS	BS 2872 OR BS 2874 CZ114
9	HAND WHEEL	CAST IRON	BSEN 1561 Gr 200 / M.S. SHEET
10	WASHER	CARBON STEEL	_____
11	SET SCREW	CARBON STEEL	_____