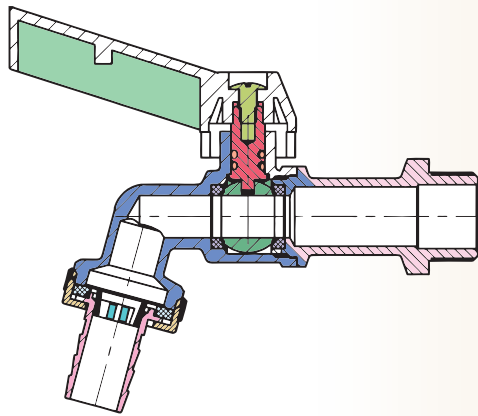
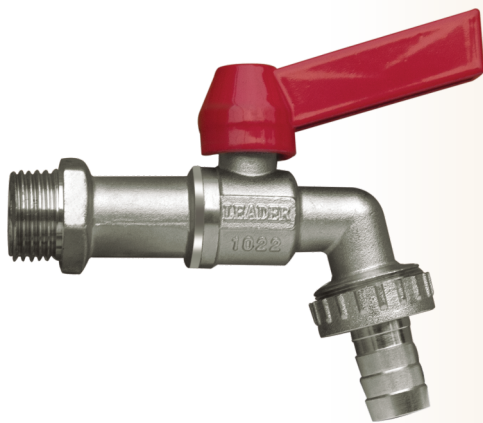


FORGED BRASS

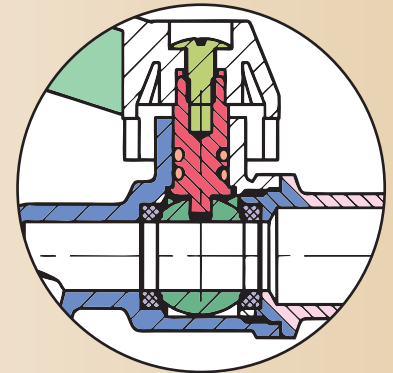
BALL TYPE BIB COCK



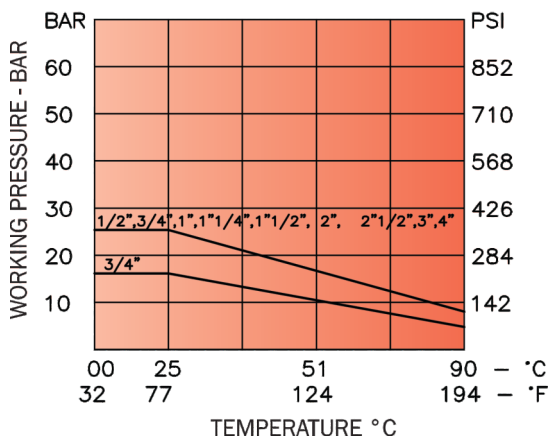
- VALVE SEAT 1
- BALL 2
- STEM 3
- O-RING 4
- PLASTIC AERATOR 5
- HOSE CONNECTION 6
- WASHER 7
- LEVER HANDLE 8
- BODY 9
- BONNET 10
- HOSE NUT 11
- SCREW 12



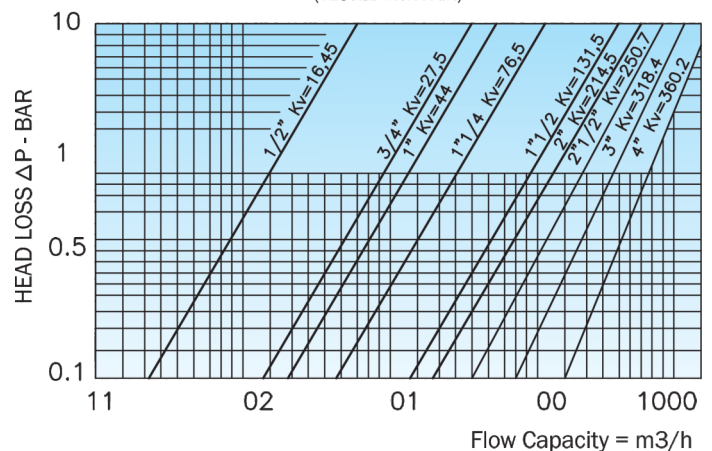
- Item Code: FLB059
- Pressure Rating: PN-16
- Size Range: 15mm



PRESSURE/TEMPERATURE DIAGRAM
(TESTED WITH WATER)



HEAD LOSS DIAGRAM
(TESTED WITH AIR)



Note : The above data is subject to change without notice due to our continuing product improvement program.

PRINCIPAL FEATURES

- Screwed Male Ends to BS:21 / IS : 554.
- Full bore, Two Piece Design.
- Quarter Turn, lever operated with Low torque & stipulated leverage.
- Provided with forged brass hard chrome plated ball.
- Anti blow-out stem design feature which gives further assurance against the accidental blow-out of the stem.
- Nickel plated finish body & connector.
- Extra strength of stem with high tensile brass.
- Gland less design, stem sealing by double seal O ring ensures zero leakage from the stem.
- Replaceable & virgin oil free PTFE Rings for smooth operation.
- Anti corrosive SS / Brass Stem Nut provided for trouble free operation of the Lever.
- Aluminium Lever avoids rusting of the lever in corrosive environment.
- Provided with sturdy Hose Union.

END CONNECTION

- Screwed Male BSP Parallel Threads.

UTILISATION & SERVICE

- "LEADER" Forged Brass Ball Type Bib Cock are suitable for treated fresh water & air.

WORKING PRESSURE

- Maximum Working Pressure: 16 Bar.
- See Pressure / Temperature Diagram.

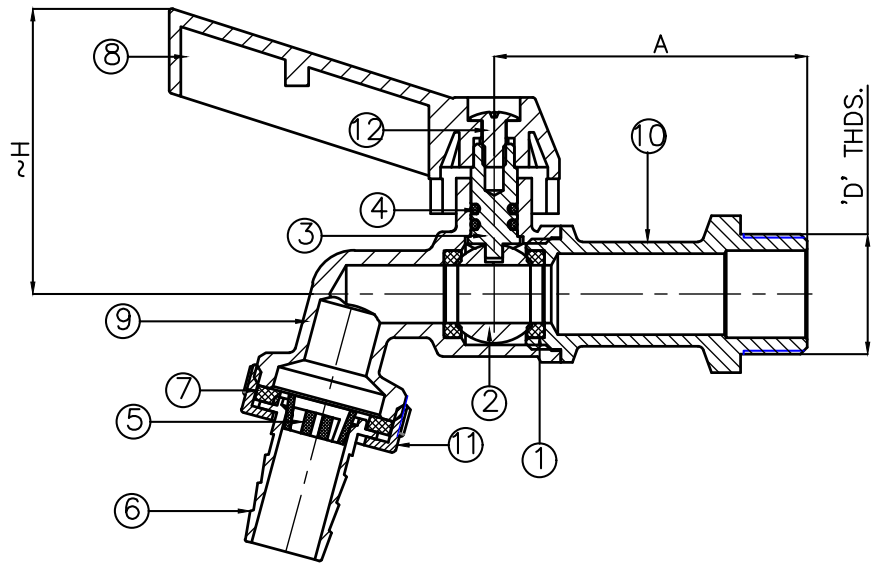
TEMPERATURE LIMITS

- Maximum working temperature: 100°C.
- See Pressure / Temperature Diagram.

PRESSURE RATING: PN-16

TEST PRESSURE (Hydrostatic)

BODY	SEAT
24 Bar	17.6 Bar



SUITABLE FOR

Water	Oil	Air	Gases
✓			

DIMENSIONAL DATA

SIZE (mm)	15
A	56
D	1/2"
~H	49
Item Code	FLB 059

MATERIAL SPECIFICATION

P.No.	NAME OF PART	MATERIAL	P.No.	NAME OF PART	MATERIAL
1	VALVE SEAT	PTFE	7	WASHER	EPDM
2	BALL	FORGED BRASS	8	LEVER HANDLE	ALUMINIUM
3	STEM	H. T.BRASS	9	BODY	FORGED BRASS
4	O-RING	EPDM	10	BONNET	FORGED BRASS
5	PLASTIC AERATOR	PLASTIC	11	HOSE NUT	FORGED BRASS
6	HOSE CONNECTION	FORGED BRASS	12	SCREW	BRASS