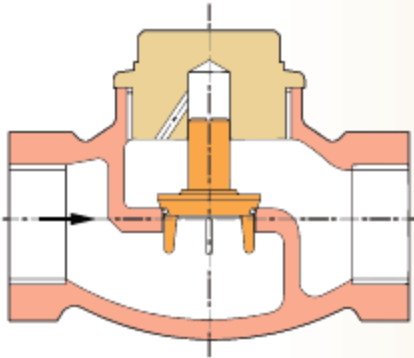


GUN METAL/BRONZE

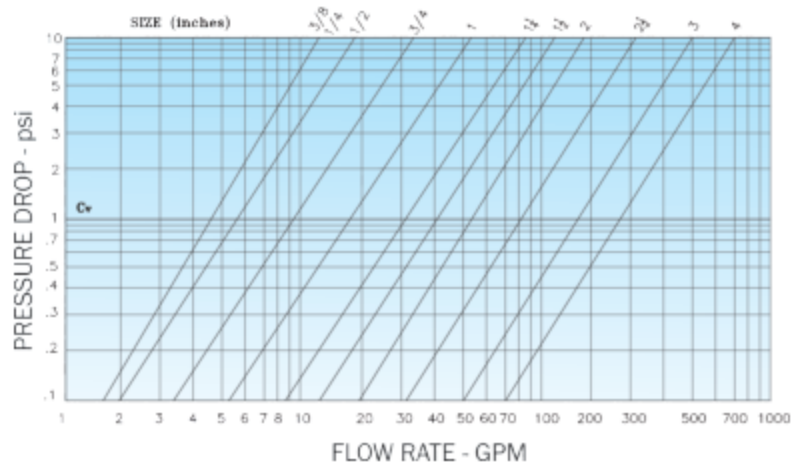
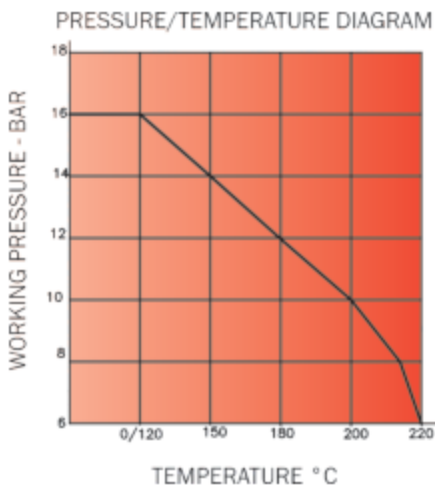
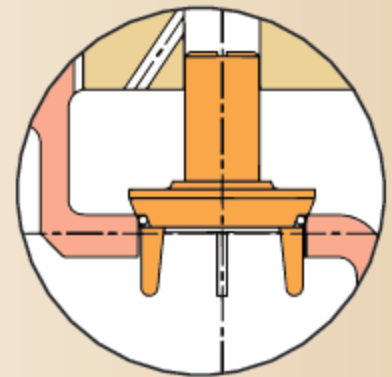
HORIZONTAL LIFT CHECK VALVE



- BODY 1
- COVER 2
- DISC 3



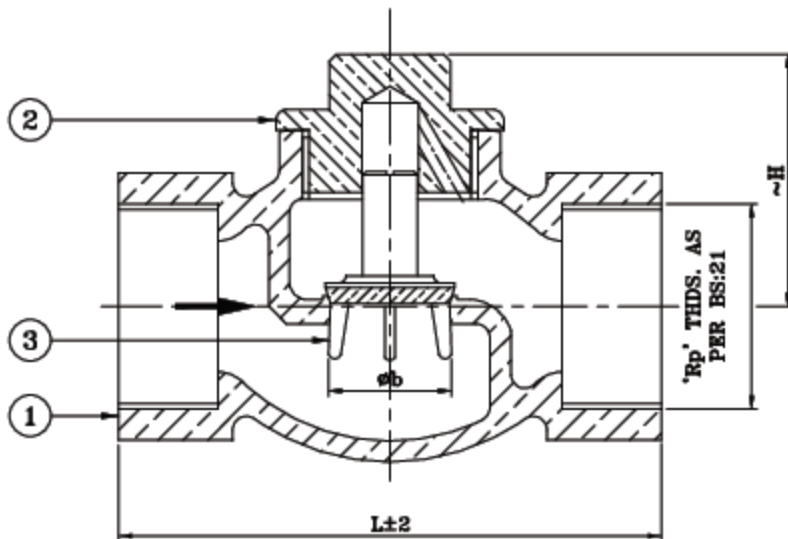
- **Item Code:** GM030
- **Pressure Rating:** PN-16
- **Testing Standard:** BSEN 12266 PART-1
- **Size Range:** 8mm to 150mm
- **Product Standard:** BS 5154



Note : The above data is subject to change without notice due to our continuing product improvement program.

PRINCIPAL FEATURES:

- Design Std.: BS 5154.
- Screwed in cover.
- Gun Metal / Brass working parts, integral seat.
- Metal to metal seating.
- Disc is guided in body as well in cover to resist vibration induced by high flow velocity.
- Screwed female BSP parallel threads to BS21 / IS:554.
- Permit flow in one direction and closes automatically if the flow reverses.
- Suitable for only in horizontal installation.
- Also available with Rubber / PTFE Seating for Air and Gas applications.



END CONNECTION:

- Screwed Female Parallel Threads to BS21 / IS:554.
- Taper Threads available only upon request.

UTILISATION & SERVICE

- "LEADER" Gun Metal Horizontal Lift Check valves are suitable for above-ground installations.
- Best suited for hot & cold water, neutral liquids.

WORKING PRESSURE

- Maximum Working Pressure: 16 Bar.
- See Pressure / Temperature Diagram.

TEMPERATURE LIMITS:

- Maximum working temperature: 225°C.
- See Pressure / Temperature Diagram.

PRESSURE RATING: PN-16

TEST PRESSURE (Hydrostatic)

BODY	SEAT
24 Bar (g)	17.6 Bar (g)

SUITABLE FOR

Water	Oil	Air	Gases
✓	✓		

DIMENSIONAL DATA

SIZE (mm)	8	10	15	20	25	32	40	50	65	80	100	125	150
L	40	40	45	55	67	80	89	110	134	159	190	235	267
Øb	9.5	9.5	11	16	22.5	29	35	45	63.5	76.2	96	122	148
Rp	5/16"	3/8"	1/2"	3/4"	1"	1-1/4"	1-1/2"	2"	2-1/2"	3"	4"	5"	6"
~H	23	23	25	30	40	50	55	60	75	85	110	130	145
Item Code	GM 030	GM 030	GM 030	GM 030	GM 030	GM 030	GM 030	GM 030	GM 030	GM 030	GM 030	GM 030	GM 030

MATERIAL SPECIFICATION

P.No.	NAME OF PART	MATERIAL	SPECIFICATION
1	BODY	GUN METAL	BSEN 1982 Gr. CC491K
2	COVER	GUN METAL	BSEN 1982 Gr. CC491K
3	DISC	GUN METAL	BSEN 1982 Gr. CC491K

Note : The above data is subject to change without notice due to our continuing product improvement program.