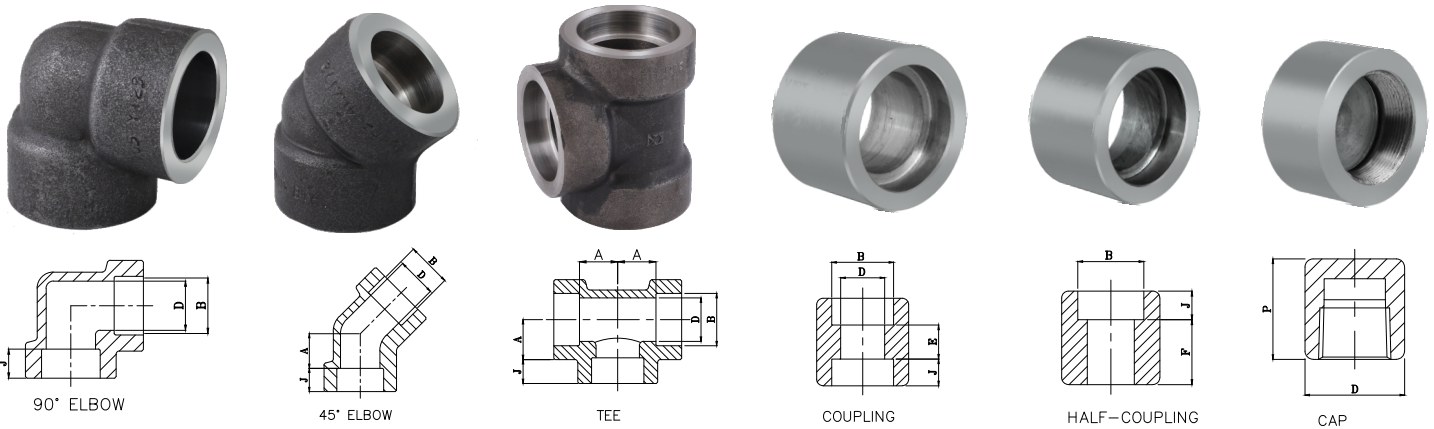


## FORGED SOCKET WELDING FITTINGS

Product	Elbow 90 Deg.	Elbow 45 Deg.	Tee	Full Coupling	Half Coupling	Round Cap
Product Standard	ASME B16.11	ASME B16.11	ASME B16.11	ASME B16.11	ASME B16.11	ASME B16.11
Material	A105, LF2, F5, F9, F11, F22, F304, F304L, F316, F316L, F321	A105, LF2, F5, F9, F11, F22, F304, F304L, F316, F316L, F321	A105, LF2, F5, F9, F11, F22, F304, F304L, F316, F316L, F321	A105, LF2, F5, F9, F11, F22, F304, F304L, F316, F316L, F321	A105, LF2, F5, F9, F11, F22, F304, F304L, F316, F316L, F321	A105, LF2, F5, F9, F11, F22, F304, F304L, F316, F316L, F321
End Detail	Socket Weld to ASME B16.11	Socket Weld to ASME B16.11	Socket Weld to ASME B16.11	Socket Weld to ASME B16.11	Socket Weld to ASME B16.11	Socket Weld to ASME B16.11



DN		SOCKET BORE DIA. 'B'	BORE DIAMETER OF FITTINGS			DEPTH OF SOCKET 'J' MIN	CENTER TO BOTTOM OF SOCKET - 'A'						LAYING LENGTH	
			CLASS DESIGNATION				90° ELBOW, TEE AND CROSSES			45° ELBOW			COUPLING	HALF COUPLING
			3000	6000	9000		CLASS DESIGNATION			CLASS DESIGNATION				
			3000	6000	9000		3000	6000	9000	3000	6000	9000	E	F
6	1/8	11.2 10.8	7.6 6.1	4.8 3.2	- -	9.5	11.0	11.0	-	8.0	8.0	-	6.5	16.0
8	1/4	14.6 14.2	10.0 8.5	7.1 5.6	- -	9.5	11.0	13.5	-	8.0	8.0	-	6.5	16.0
10	3/8	18.0 17.6	13.3 11.8	9.9 8.4	- -	9.5	13.5	15.5	-	8.0	11.0	-	6.5	17.5
15	1/2	22.2 21.8	16.6 15.0	12.5 11.0	7.2 5.6	9.5	15.5	19.0	25.5	11.0	12.5	15.5	9.5	22.5
20	3/4	27.6 27.2	21.7 20.2	16.3 14.8	11.8 10.3	12.5	19.0	22.5	28.5	13.0	14.0	19.0	9.5	24.0
25	1	34.3 33.9	27.4 25.9	21.5 19.9	16.4 14.4	12.5	22.5	27.0	32.0	14.0	17.5	20.5	12.5	28.5
32	1-1/4	43.1 42.7	35.8 34.3	30.2 28.7	23.5 22.0	12.5	27.0	32.0	35.0	17.5	20.5	22.5	12.5	30.0
40	1-1/2	49.2 48.8	41.6 40.1	34.7 33.2	28.7 27.2	12.5	32.0	38.0	38.0	20.5	25.5	25.5	12.5	32.0
50	2	61.7 61.2	53.3 51.7	43.6 42.1	38.9 37.4	16.0	38.0	41.0	54.0	25.5	28.5	28.5	19.0	41.0
65	2-1/2	74.4 73.9	64.2 61.2	- -	- -	16.0	41.0	-	-	28.5	-	-	19.0	43.0

Upper & lower Values for each size are the resp. max. & min. dimensions