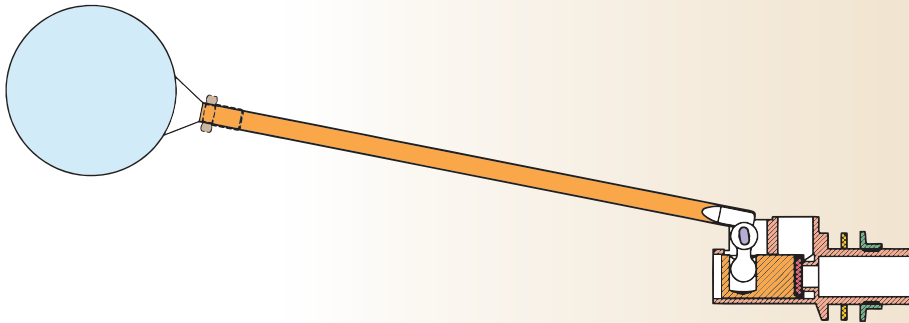


FORGED BRASS

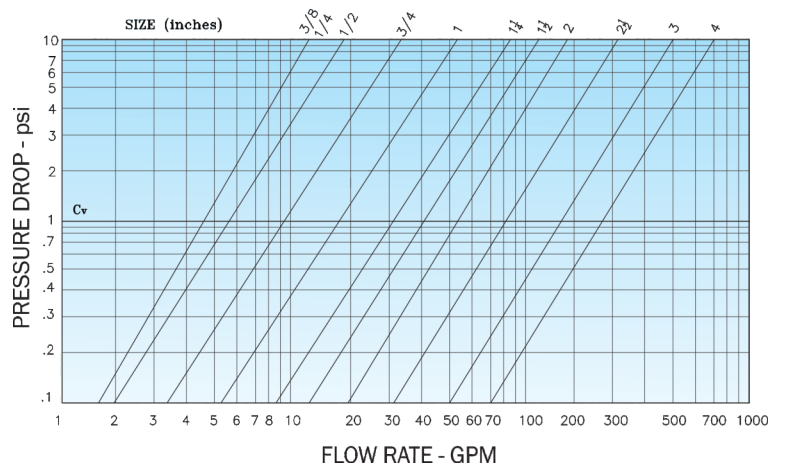
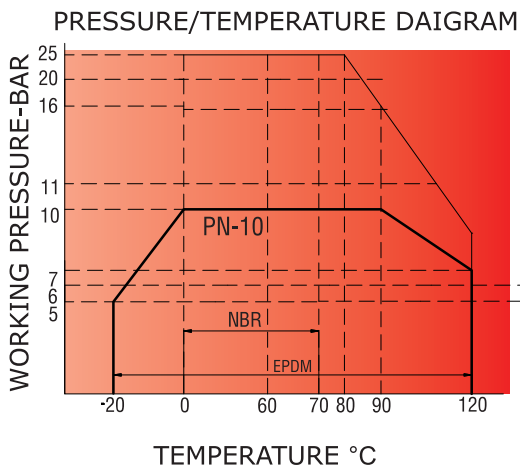
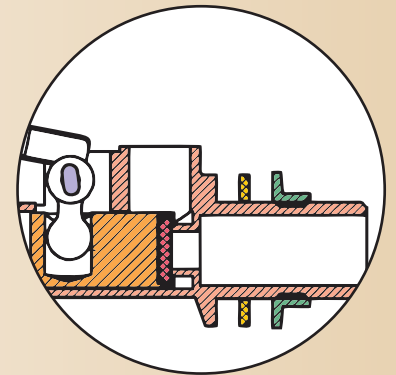
FLOAT VALVE



- BODY 1
- HEX. NUT 2
- LEVER 3
- PISTON 4
- WASHER 5
- SPLIT PIN 6
- RUBBER DISC 7
- NUT 8
- FLOAT 9



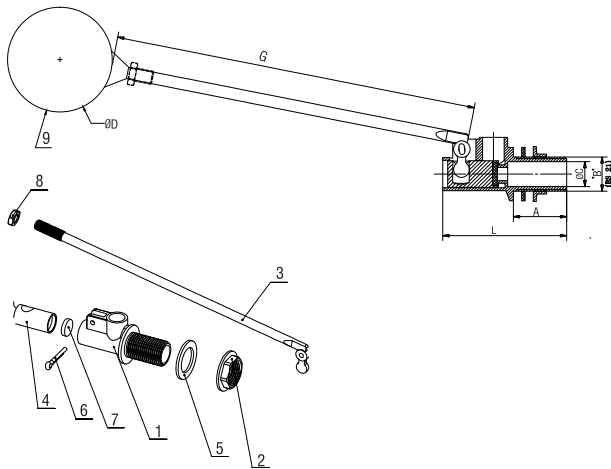
- **Item Code:** FLB066
- **Pressure Rating:** PN-10
- **Size Range:** 15mm to 50mm
- **Product Standard:** Mfg. Standard



Note : The above data is subject to change without notice due to our continuing product improvement program.

PRINCIPAL FEATURES

- Rough body with plastic float.
- High flow rates at low head loss.
- No jam single lever action.
- Continuously control the water level in open and closed tanks.
- Useful in a typical over-head tank of households.
- No need to monitor or control, level control operation is automatic .
- Water will get stopped once the desired level is reached, avoid overflow.
- No electrical power is required, economical and maintenance free.
- Screwed male inlet ends as per BS:21.
- Also available with copper float on request at an extra cost.



END CONNECTION

- Screwed Male inlet ends as per BS:21.

UTILISATION & SERVICE

- “LEADER” Brass Float Valves are suitable for above-ground installations.
- Best suited for potable water, treated fresh water.

WORKING PRESSURE

- Maximum Working Pressure: 10 Bar.
- See Pressure / Temperature Diagram.

TEMPERATURE LIMITS

- Maximum working temperature: 100°C.
- See Pressure / Temperature Diagram.

PRESSURE RATING: PN-10

TEST PRESSURE (Hydrostatic)

BODY	SEAT
15 Bar (g)	11 Bar (g)

SUITABLE FOR

Water	Oil	Air	Gases
✓			

DIMENSIONAL DATA

SIZE (mm)	15	20	25	32	40	50
∅C	15	21	26.5	34.5	40	49.5
B	1/2	3/4	1	1-1/4	1-1/2	2
L	74.5	81	84	121	131	131
G	250	280	300	330	400	430
∅D	127	152	203	203	254	254
A	32	34	36	45	50	50
Item Code	FLB 066	FLB 066	FLB 066	FLB 066	FLB 066	FLB 066

MATERIAL SPECIFICATION

P.No.	NAME OF PART	MATERIAL
1	BODY	FORGED BRASS (EN 12165 Gr. CW617N)
2	HEX. NUT	BRASS
3	LEVER	H.T. BRASS
4	PISTON	BRASS
5	WASHER	BRASS
6	SPLIT PIN	BRASS
7	RUBBER DISC	NBR
8	NUT	BRASS
9	FLOAT	PLASTIC