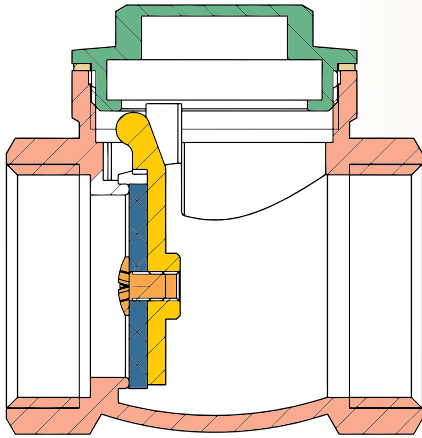


FORGED BRASS

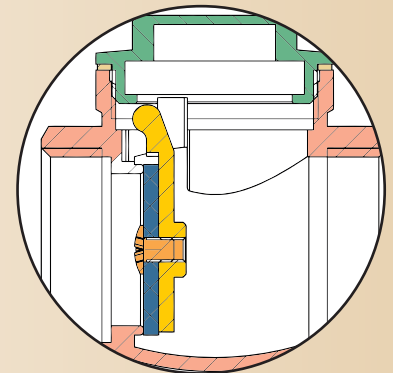
SWING CHECK VALVE



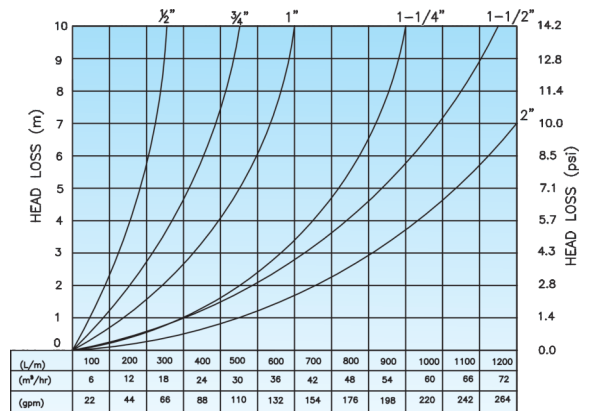
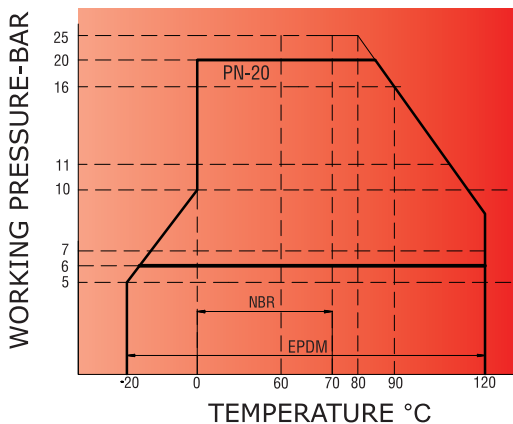
- BODY 1 ■
- SCREW 2 ■
- DISC FACING 3 ■
- DISC 4 ■
- GASKET 5 ■
- COVER 6 ■



- **Item Code:** FLB045
- **Pressure Rating:** PN-20
- **Testing Standard:** BSEN 12266 PART-1
- **Size Range:** 15mm to 50mm
- **Product Standard:** BS 5154



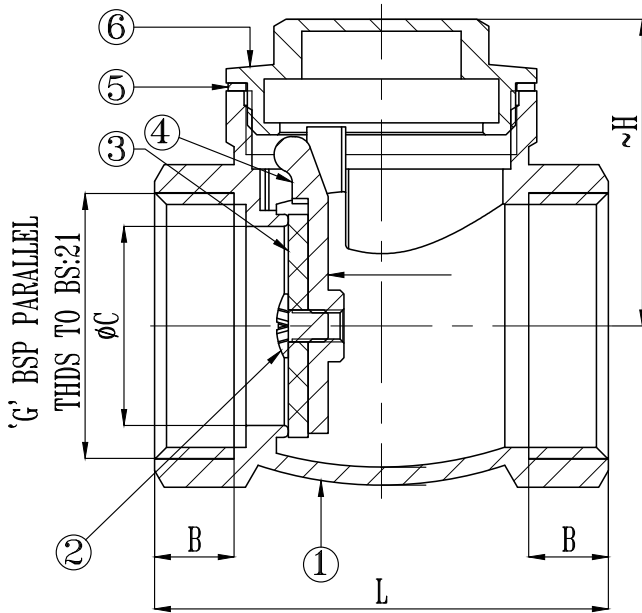
PRESSURE/TEMPERATURE DAIGRAM



Note : The above data is subject to change without notice due to our continuing product improvement program.

PRINCIPAL FEATURES

- Design Std.: BS 5154.
- Screwed in cover, Integral Seat.
- Resilient Rubber Disc.
- Screwed female BSP parallel threads to BS21 / IS:554.
- Permit flow in one direction and closes automatically if the flow reverses.
- Suitable for both horizontal & vertical installation.



END CONNECTION

- Screwed Female Parallel Threads to BS21 / IS:554.

UTILISATION & SERVICE

- "LEADER" Brass Swing Check valves are suitable for above-ground installations.
- Best suited for hot & cold water.

WORKING PRESSURE

- Maximum Working Pressure: 20 Bar.
- See Pressure / Temperature Diagram.

TEMPERATURE LIMITS

- Maximum working temperature: 100°C.
- See Pressure / Temperature Diagram.

PRESSURE RATING: PN-20

TEST PRESSURE (Hydrostatic)

BODY	SEAT
30 Bar (g)	22 Bar (g)

SUITABLE FOR

Water	Oil	Air	Gases
✓			

DIMENSIONAL DATA

SIZE (mm)	15	20	25	32	40	50
L	43	49	57	69	80	88
G	½"	¾"	1"	1-1/4"	1-1/2"	2"
ØC	15	20	25	32	40	50
B	8	9.5	10	12	12	14
~H	27.9	32.9	38.9	44	50.7	58.7
Item Code	FLB 045	FLB 045	FLB 045	FLB 045	FLB 045	FLB 045

MATERIAL SPECIFICATION

P.No.	NAME OF PART	MATERIAL	SPECIFICATION
1	BODY	FORGED BRASS	DIN EN 12165 Gr. CW617N
2	SCREW	STAINLESS STEEL	NICKEL PLATED
3	DISC FACING	NBR	-----
4	DISC	FORGED BRASS	DIN EN 12165 Gr. CW617N
5	GASKET	PTFE	-----
6	COVER	FORGED BRASS	DIN EN 12165 Gr. CW617N