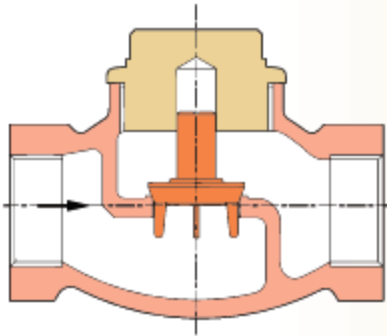


GUN METAL/BRONZE

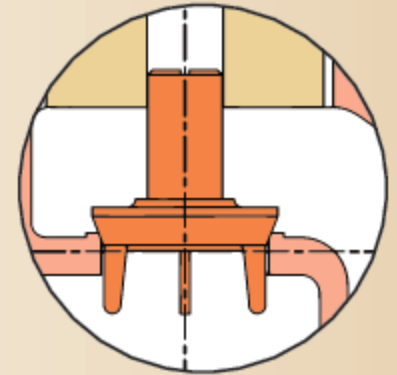
HORIZONTAL LIFT CHECK VALVE



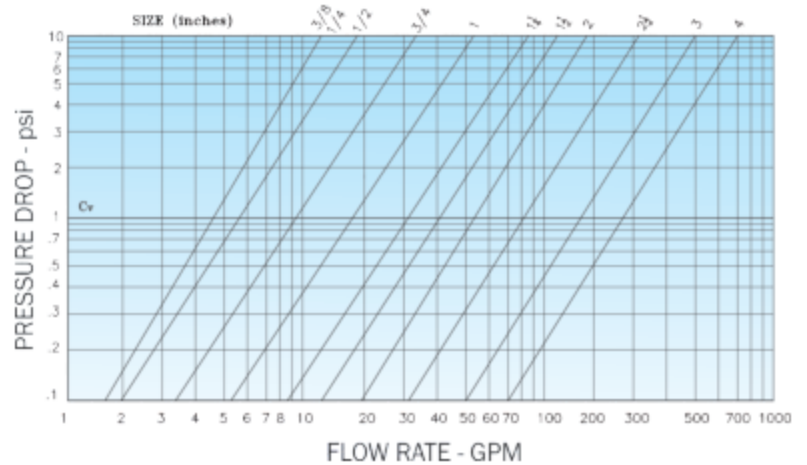
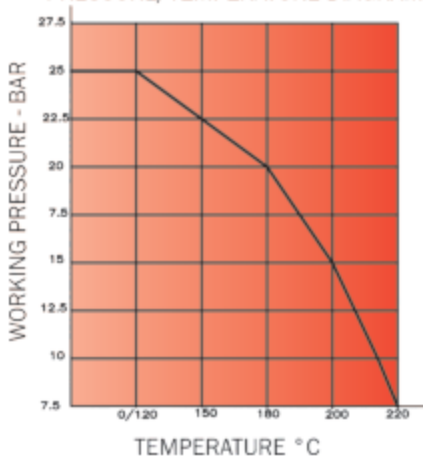
- BODY 1
- DISC 2
- COVER 3



- **Item Code:** GM039
- **Pressure Rating:** PN-25
- **Testing Standard:** BSEN 12266 PART-1
- **Size Range:** 6mm to 100mm
- **Product Standard:** BS 5154



PRESSURE/TEMPERATURE DIAGRAM



Note : The above data is subject to change without notice due to our continuing product improvement program.

PRINCIPAL FEATURES:

- Design Std.: BS 5154.
- Screwed in cover.
- Gun Metal / Brass working parts, integral seat.
- Metal to metal seating.
- Disc is guided in body as well in cover to resist vibration induced by high flow velocity.
- Screwed female BSP parallel threads to BS21 / IS:554.
- Permit flow in one direction and closes automatically if the flow reverses.
- Suitable for only in horizontal installation.
- Also available with Rubber / PTFE Seating for Air and Gas applications at an extra cost.

END CONNECTION:

- Screwed Female Parallel Threads to BS21 / IS:554.
- Taper Threads available only upon request.

UTILISATION & SERVICE

- "LEADER" Gun Metal Horizontal Lift Check Valves are suitable for above-ground installations.
- Best suited for hot & cold water, neutral liquids.

WORKING PRESSURE

- Maximum Working Pressure: 25 Bar.
- See Pressure / Temperature Diagram.

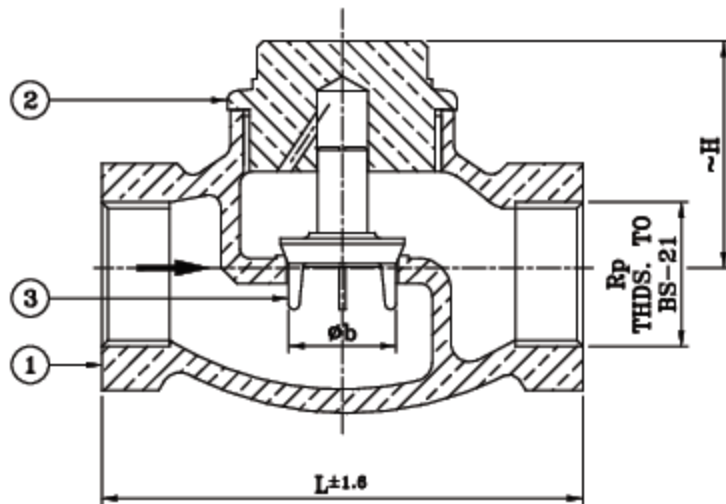
TEMPERATURE LIMITS:

- Maximum working temperature: 225°C.
- See Pressure / Temperature Diagram.

PRESSURE RATING: PN-25

TEST PRESSURE (Hydrostatic)

BODY	SEAT
37.5 Bar (g)	27.5 Bar (g)



SUITABLE FOR

Water	Oil	Air	Gases
✓	✓		

DIMENSIONAL DATA

SIZE (mm)	6	8	10	15	25	32	40	50	65	80	100
L	40	45	57	68	78	95	103	125	157	178	206
∅b	-	9.5	9.5	11	22.5	29	35	45	63.5	76.2	96
~H	23	26	32	36.5	50	53	63.5	71.5	76	110	115
Rp	1/4"	3/8"	1/2"	3/4"	1"	1-1/4"	1-1/2"	2"	2-1/2"	3"	4"
Item Code	GM 039	GM 039	GM 039	GM 039	GM 039	GM 039	GM 039	GM 039	GM 039	GM 039	GM 039

MATERIAL SPECIFICATION

P.No.	NAME OF PART	MATERIAL	SPECIFICATION
1	BODY	GUN METAL	BSEN 1982 Gr. CC491K
2	DISC	GUN METAL	BSEN 1982 Gr. CC491K
3	COVER	GUN METAL	BSEN 1982 Gr. CC491K